

4

3

2

1

THIS DRAWING IS UNPUBLISHED.

RELEASED FOR PUBLICATION

© COPYRIGHT

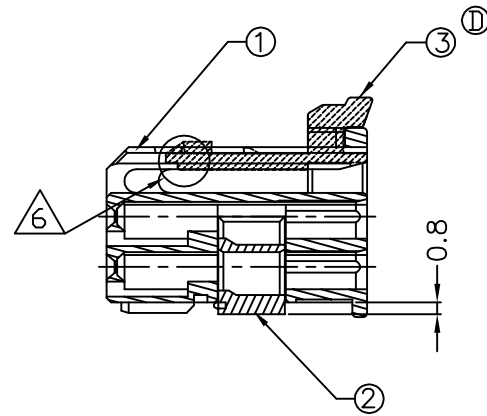
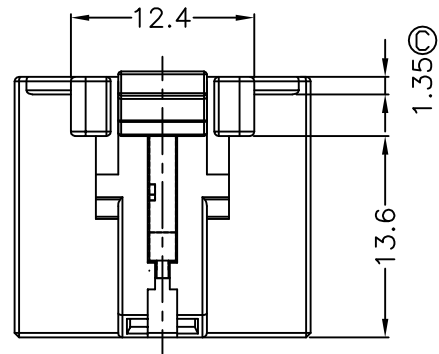
BY TYCO ELECTRONICS CORPORATION, ALL RIGHTS RESERVED.

LOC DS

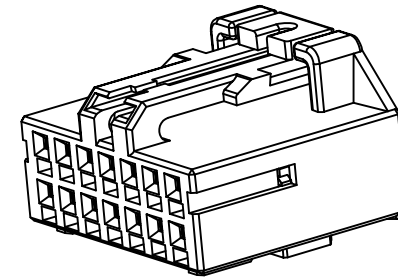
DIST -

REVISIONS

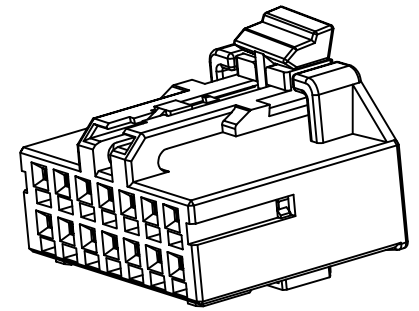
P	LTR	DESCRIPTION	DATE	DWN	APVD
E		REVISED (ECR-13-008383)	16, MAY, '13	JM	HG



SECTION A-A
(SCALE 2/1)

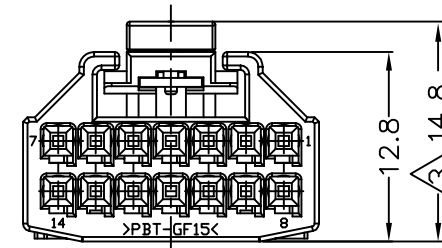
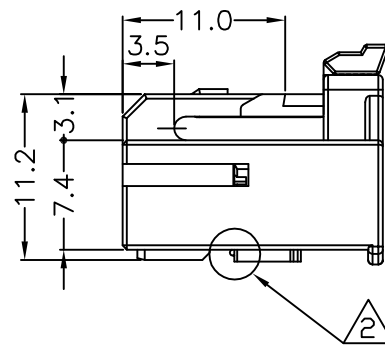
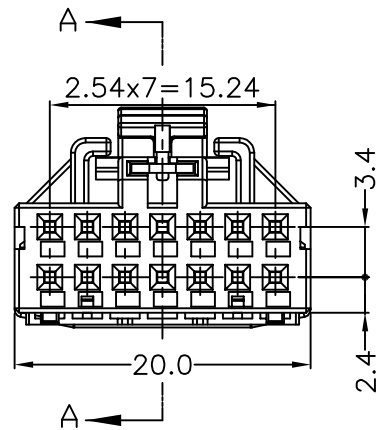


0-936124-1, 2



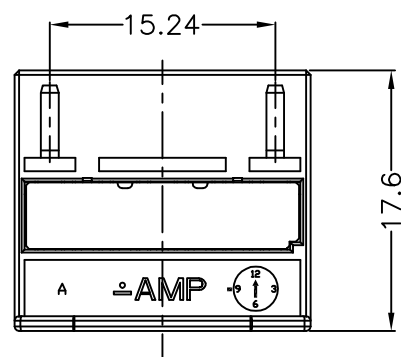
1-936124-2

3D VIEW
(SCALE 2/1)



NOTES

- GENERAL TOLERANCE IS ±0.3
 - CONDITION OF DELIVERY : DBL IN 1ST LOCKING POSITION
 - 1-936124-2 ONLY
 - APPLIED CAP ASS'Y P/N: 936126
 - APPLIED RECEPTACLE CONTACT P/N:
- | Part NO. | 928999 | 963715 |
|-----------------------------|----------|--------|
| WIRE SIZE(mm ²) | 0.25~0.5 | 0.75 |
- CONDITION OF DELIVERY : CPA IN 1ST LOCKING POSITION



1		936353-1	CPA HSG	PBT GF20	WHITE	3
1	1	936128-1	DBL HSG	PBT GF15	WHITE	2
1	1	936125-2	PLUG HSG	PBT GF15	YELLOW	1
	1	936125-1	PLUG HSG	PBT GF15	BLACK	1
Q' TY		P/N	DESCRIPTION	MATERIAL	COLOR	NO
1-936124-2			THIS DRAWING IS A CONTROLLED DOCUMENT FOR TYCO ELECTRONICS CORPORATION. IT IS SUBJECT TO CHANGE AND THE CONTROLLING ENGINEERING ORGANIZATION SHOULD BE CONTACTED FOR THE LATEST REVISION.			
0-936124-2			DWN : JM JEON			
0-936124-1			CHK : JW JUNG			
			APVD : HG CHD			
			PRODUCT SPEC			
			APPLICATION SPEC			
			WEIGHT			
			NAME			
			MQS 14P PLUG ASSEMBLY			
			RESTRICTED TO			
			SIZE CAGE CODE DRAWING NO			
			A3 00779 C- 936124			
			SCALE 2/1 SHEET 1 OF 1 REV E			